



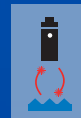
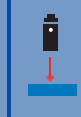
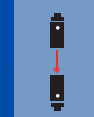
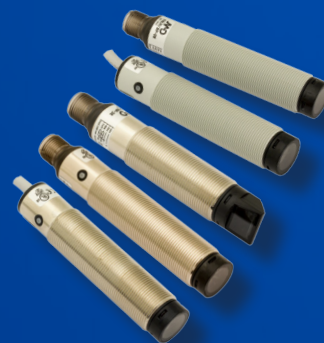
FA LASER series

M18 photoelectric sensors
DC LASER emission



features

- Complete range of M18 sensors with 10...30 Vdc power supply
- Axial and radial optic with flat surface
- Visible red laser emission models
- IP67 protection degree
- Metallic or plastic housing
- Sensitivity adjustment available for all models
- Total protection against any type of electric damages
- Approvals: CE and cULus listed



Cylindrical
M18 DC LASER

web contents



- Application notes
- Photos
- Catalogue / Manuals



code description

FA L N / B P - 0 A

series	FA	M18 sensor with 3/4 DC wires
emission	L	Red laser diode emission
type	4	300 mm direct reflection with adjustment
	N	Polarized with adjustment
emitter	H	Emitter
	D	Receiver with sensitivity adjustment
	0	LO/DO selectable output, 4 wires - Emitter
output	X	Emitter with check
	B	4 wires output Complementary NO + NC
housing	0	Emitter
	P	PNP output
	N	NPN output
cable / plug output	0	Plastic housing axial optic
	1	Metal housing axial optic
	2	Plastic housing radial optic
	3	Metal housing radial optic
	A	Axial cable output
	E	Axial M12 plastic connector output

(*) ATEX models available, contact our Sales Dept. for further information.

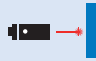


Cylindrical
M18 DC LASER

available models

model	distance	housing	4 wires NPN NO + NC		4 wires PNP NO + NC	
			cable	plug	cable	plug
direct diffuse	300 mm	axial plastic	FAL4/BN-0A	FAL4/BN-0E	FAL4/BP-0A	FAL4/BP-0E
		axial metal	FAL4/BN-1A	FAL4/BN-1E	FAL4/BP-1A	FAL4/BP-1E
	200 mm	90° plastic	FAL4/BN-2A	FAL4/BN-2E	FAL4/BP-2A	FAL4/BP-2E
		90° metal	FAL4/BN-3A	FAL4/BN-3E	FAL4/BP-3A	FAL4/BP-3E
polarized	20 m (RL 110)	axial plastic	FALN/BN-0A	FALN/BN-0E	FALN/BP-0A	FALN/BP-0E
		axial metal	FALN/BN-1A	FALN/BN-1E	FALN/BP-1A	FALN/BP-1E
	30 m (RL 201)	90° plastic	FALN/BN-2A	FALN/BN-2E	FALN/BP-2A	FALN/BP-2E
		90° metal	FALN/BN-3A	FALN/BN-3E	FALN/BP-3A	FALN/BP-3E
emitter	50 m	axial plastic	-	FALH/X0-0E	-	-
		axial metal	-	FALH/X0-1E	FALH/X0-1A	-
		90° plastic	-	FALH/X0-2E	FALH/X0-2A	-
		90° metal	-	FALH/X0-3E	FALH/X0-3A	FALH/X0-3E
receiver	50 m	axial plastic	FALD/BN-1A	FALD/BN-0E	FALD/BP-0A	FALD/BP-0E
		axial metal	FALD/BN-2A	FALD/BN-1E	FALD/BP-1A	FALD/BP-1E
		90° plastic	FALD/BN-3A	FALD/BN-2E	FALD/BP-2A	FALD/BP-2E
		90° metal	FALD/BN-4A	FALD/BN-3E	FALD/BP-3A	FALD/BP-3E



FAL4/**-**	
	
nominal sensing distance	300 mm (axial optic focused 100 mm) ⁽¹⁾ 200 mm (radial optic focused 100 mm) ⁽¹⁾
emission	red laser diode (650 nm) class 1 laser (IEC60825-1)
minimum detectable object	0.1 mm
hysteresis	≤ 10 %
repeatability	5 %
operating voltage	10...30 Vdc
ripple	≤ 10 %
no-load supply current	≤ 30 mA
load current	100 mA
leakage current	≤ 10 µA a V max
output voltage drop	2 V max. IL = 100 mA
output type	NPN or PNP; NO + NC or LO/DO selectable
switching frequency	800 Hz
power on delay	200 ms
power supply protections	polarity reversal, transient
output protection	short circuit (autoreset) Overvoltage
sensitivity adjustment	yes / Teach-In function
operating temperature range	- 15°C...+ 55°C (without freeze)
temperature drift	10 % Sr
protection degree	IP67 (EN60529) ⁽²⁾
EMC	in conformity with the EMC Directive according to EN 60947-5-2
external light interference	3,000 lux (incandescent lamp) 10,000 lux (sunlight)
LEDs	green power supply / yellow (ON-Light state EG ≥ 2) / yellow (Flashing-Light state 1 < EG < 2) / yellow (OFF-Dark state)
housing material	PBT (plastic) / nicked plated brass (metallic) / PC (cable exit)
optic material	PC / glass
tightening torque	1 Nm (plastic), 25 Nm (metallic)
weight (approximate)	plastic version: 30 g connector / 50 g cable metallic version: 100 g connector / 130 g cable

⁽¹⁾ White target kodak 90% reflection 100 x 100 mm

⁽²⁾ Protection guaranteed only with plug cable well mounted



technical specification

polarized models

Cylindrical
M18 DC LASER

FALN/**-**	
nominal sensing distance	20 m with RL 110 30 m with RL 201; 5 m with RL 100D
emission	red laser diode (650 nm)
emitter	class 1 Laser (IEC 825-1)
minimum detectable object	0.7 mm - 1 m 24 mm - 25 m
spot dimension	see diagram
hysteresis	≤ 10 %
repeatability	5 %
operating voltage	10...30 Vdc
ripple	≤ 10 %
no-load supply current	≤ 30 mA
load current	100 mA
leakage current	≤ 10 µA a V max
output voltage drop	2 V max. IL = 100 mA
output type	NPN or PNP; NO + NC or LO/DO selectable
switching frequency	800 Hz
power on delay	200 ms
power supply protections	polarity reversal, transient
output protection	short circuit (autoreset) overvoltage
sensitivity adjustment	Yes / Teach-In function
operating temperature range	- 15°C...+ 55°C (without freeze)
temperature drift	10 % Sr
protection degree	IP67 (EN60529) ⁽¹⁾
EMC	in conformity with the EMC Directive according to EN 60947-5-2
external light interference	3,000 lux (incandescent lamp) 10,000 lux (sunlight)
LEDs	green power supply / yellow (EG ≥ 2) / yellow (Flashing-Light state 1 < EG < 2) / yellow (OFF-Dark state)
housing material	PBT (plastic) / nicked plated brass (metallic) / PC (cable exit)
optic material	PC / glass
tightening torque	1 Nm (plastic), 25 Nm (metallic)
weight (approximate)	plastic version: 30 g connector / 50 g cable metallic version: 100 g connector / 130 g cable

⁽¹⁾ Protection guaranteed only with plug cable well mounted



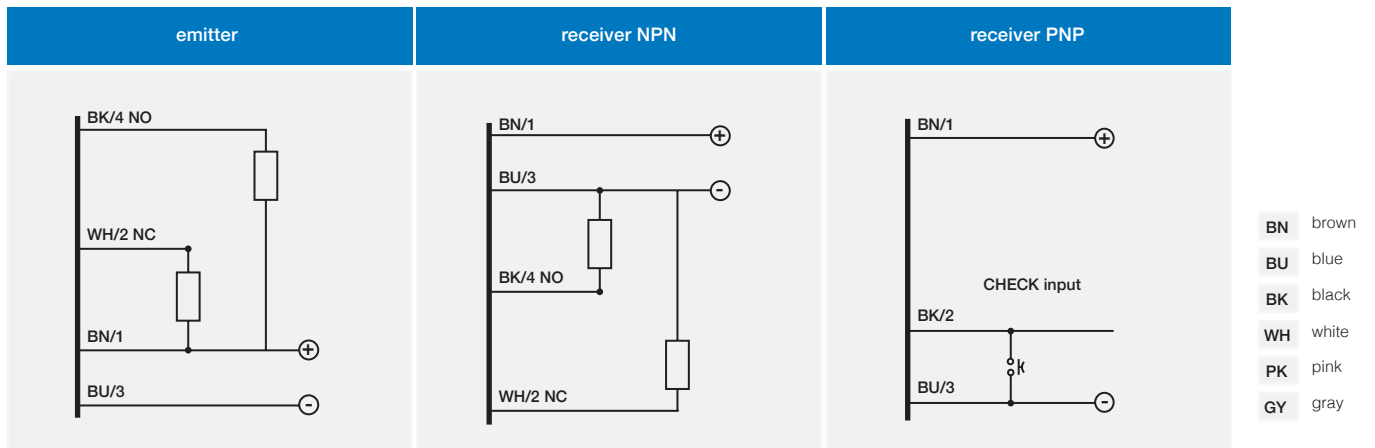
	emitter	receiver
	FALH/X0-**	FALD/**-**
nominal sensing distance	50 m	
emission	red laser diode (650 nm)	
emitter	class 1 Laser (IEC 60825-1)	
minimum detectable object	10 mm	
spot dimension	see diagram	
hysteresis	≤ 10 %	
repeatability	5 %	
operating voltage	10...30 Vdc	
ripple	≤ 10 %	
no-load supply current	≤ 25 mA	
load current		100 mA
leakage current		≤ 10 µA @ Vmax
output voltage drop		2 V max. IL = 100 mA
output type		NPN or PNP
switching frequency		1 kHz
power on delay		200 ms
power supply protections	polarity reversal, transient	
output protection		short circuit (autoreset) overvoltage
sensitivity adjustment		trimmer
operating temperature range	- 15°C...+ 55°C (without freeze)	
temperature drift	10 % Sr	
check input	BK/2 connected to 0 switches off the emission	-
EMC	in conformity with the EMC Directive according to EN 60947-5-2	
protection degree	IP67 (EN60529) ⁽¹⁾	
external light interference	-	
LEDs	green (power supply) yellow (on) yellow (off)	green (power supply) yellow (light status or output status in the special LO/DO version)
housing material	PBT (plastic) / nicked plated brass (metallic) / PC (cable exit)	
optic material	PC / glass	
tightening torque	1 Nm (plastic), 25 Nm (metallic)	
weight (approximate)	plastic version: 30 g connector / 50 g cable metallic version: 100 g connector / 130 g cable	

⁽¹⁾ Protection guaranteed only with plug cable well mounted

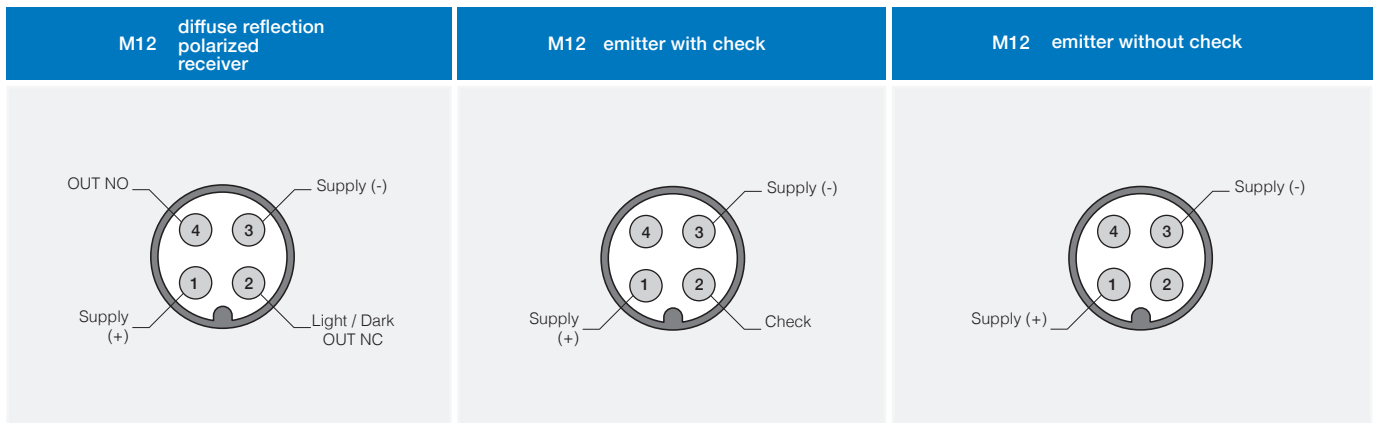


Cylindrical
M18 DC LASER

electrical diagrams of the connections

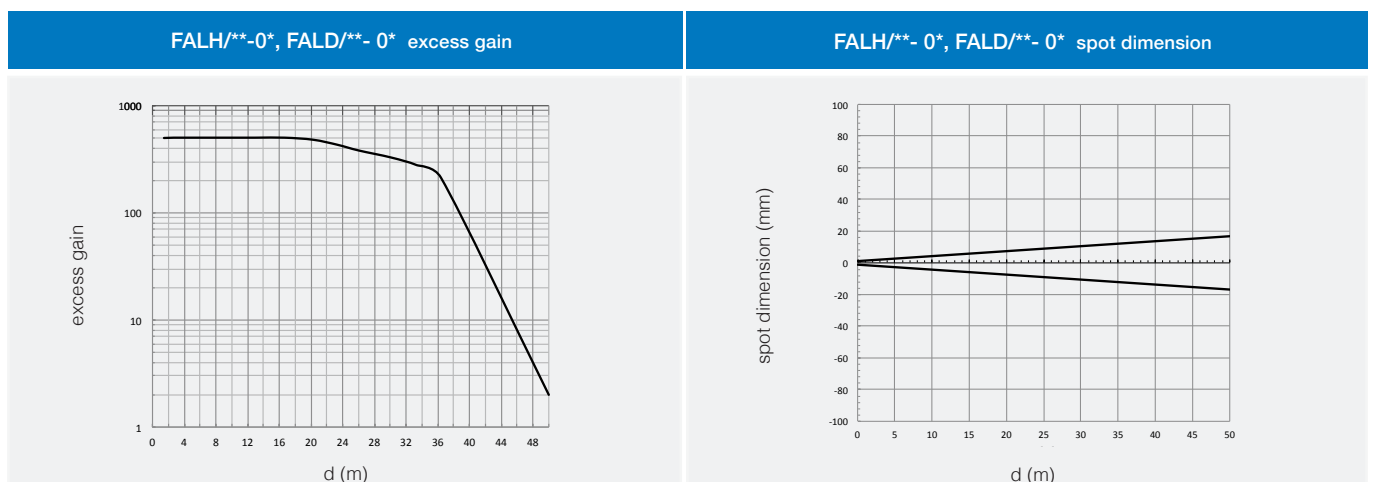


plug



response diagram

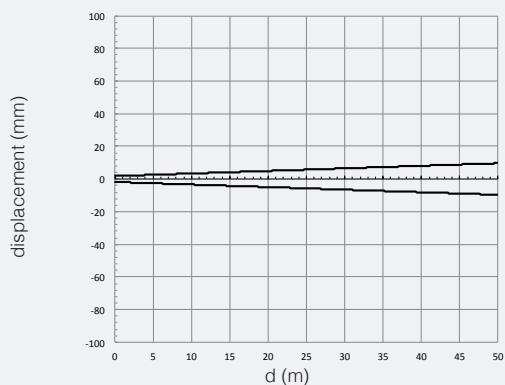
through beam models



FA LASER



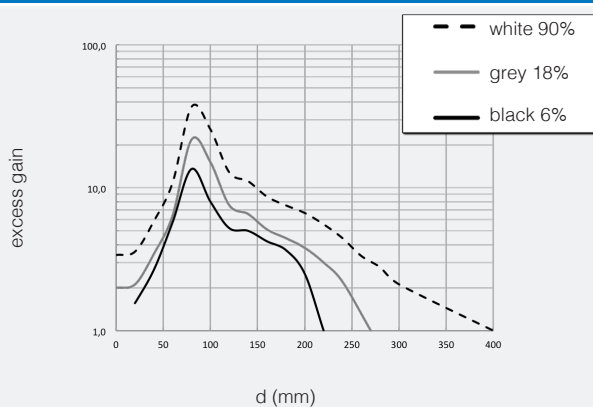
FALH/**- 0*, FALD/**- 0* parallel displacement



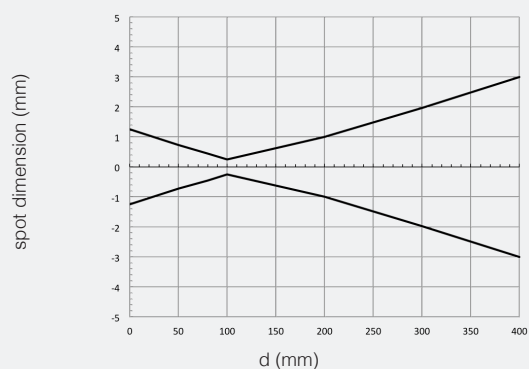
response diagram

direct diffuse models

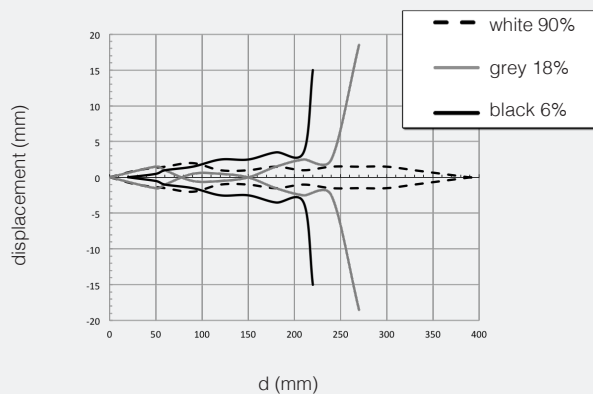
FAL4/B*-0,1* excess gain



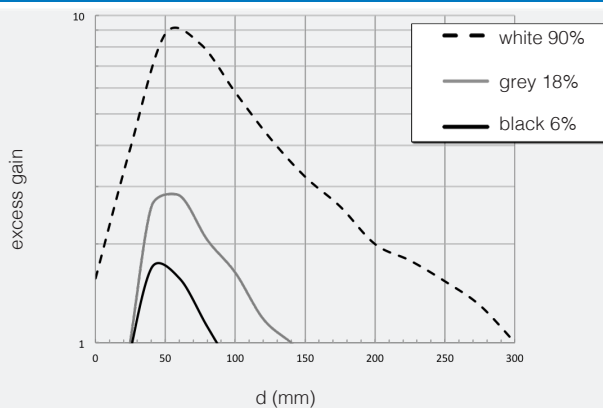
FAL4/B*-0,1* spot dimension



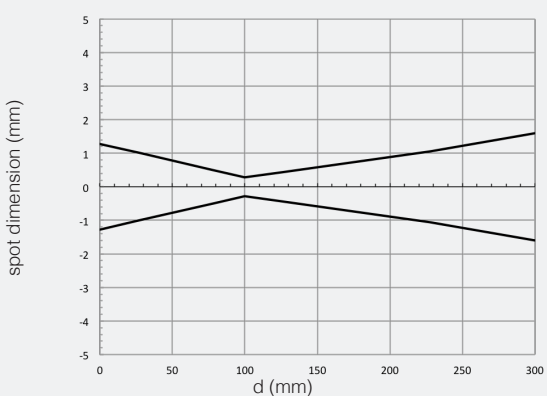
FAL4/B*-0,1* parallel displacement



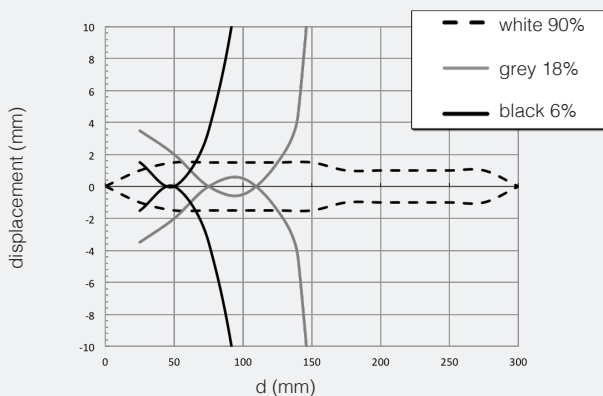
FAL4/B*-2,3* excess gain



FAL4/B*-2,3* spot dimension



FAL4/B*- 2,3* parallel displacement



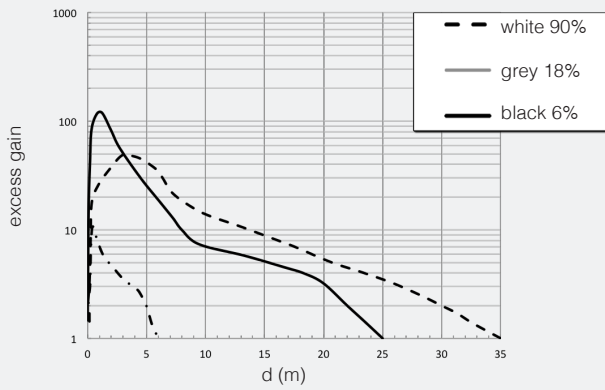


response diagram

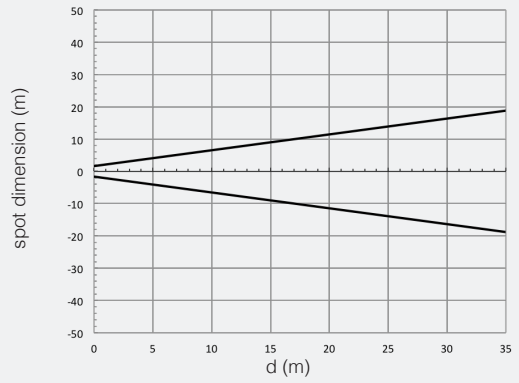
polarized models

Cylindrical
M18 DC LASER

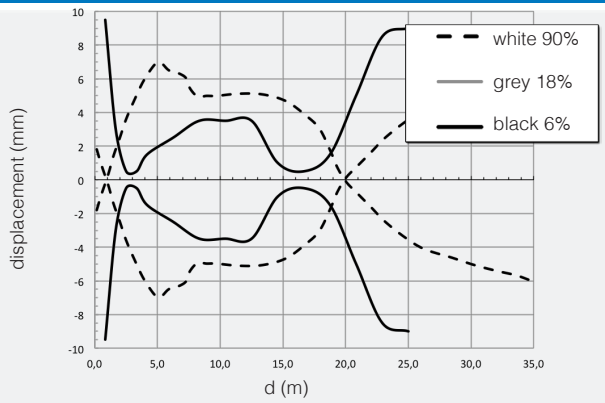
FALN/**_** excess gain



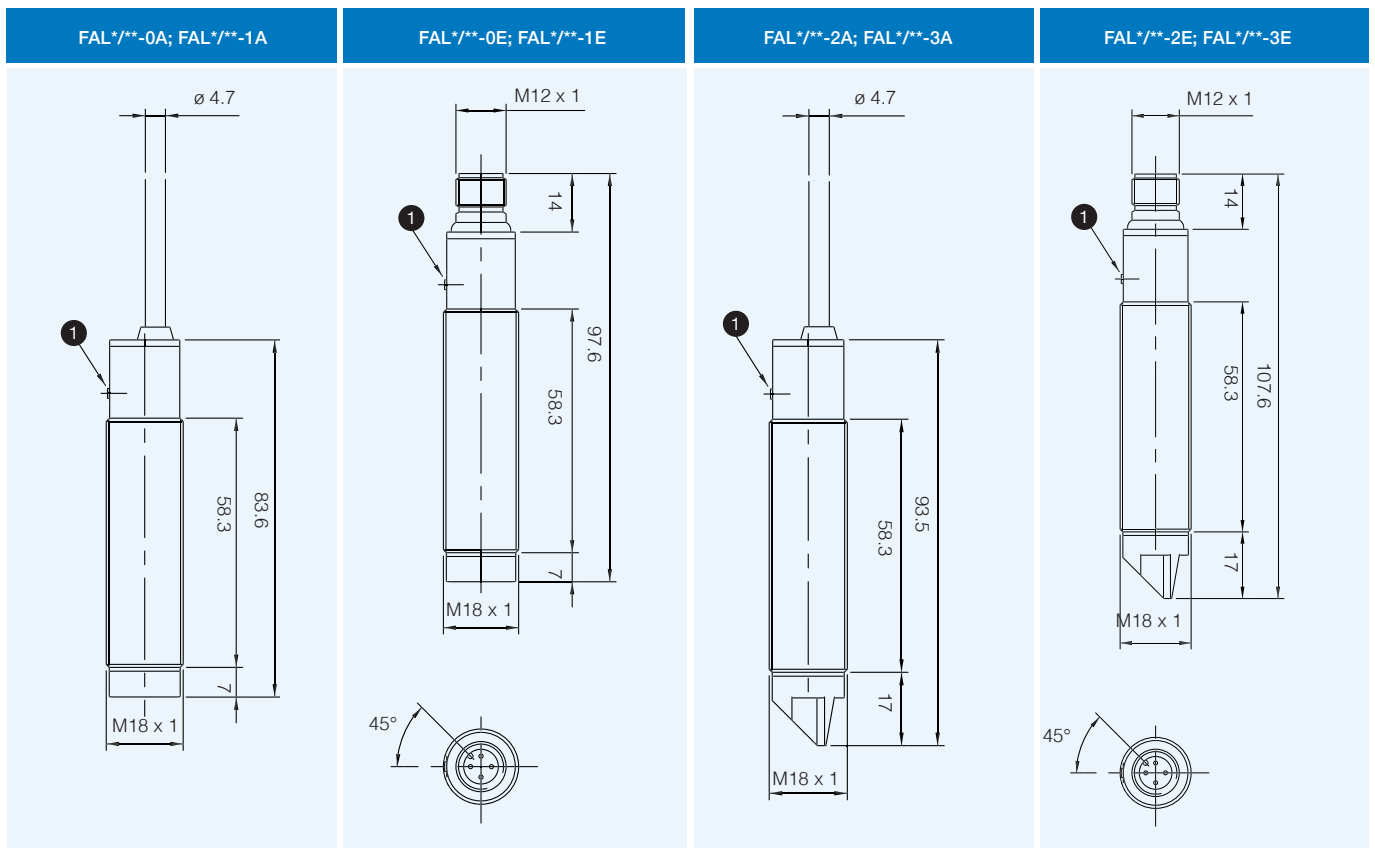
FALN/**_** spot dimension



FALN/**_** parallel displacement



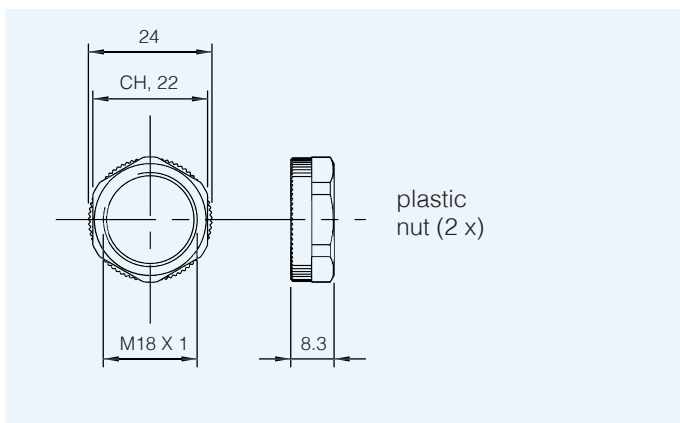
dimensions (mm)



1 Button for sensitivity adjustment

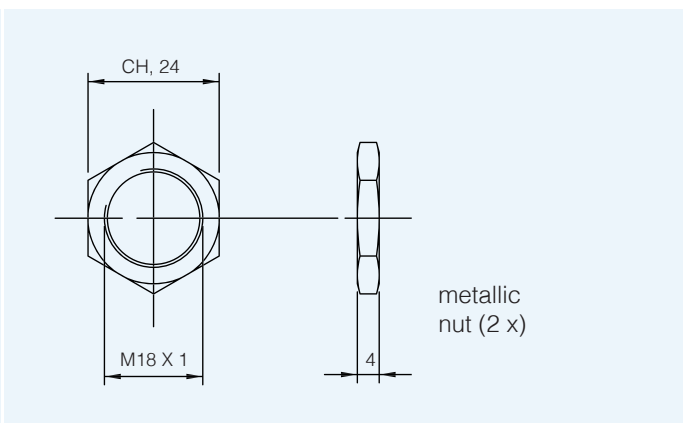
dimensions (mm)

accessories included in all plastic models



dimensions (mm)

accessories included in all metallic models



Cylindrical
M18 DC LASER



Blank lined area for notes, consisting of multiple horizontal light blue lines.